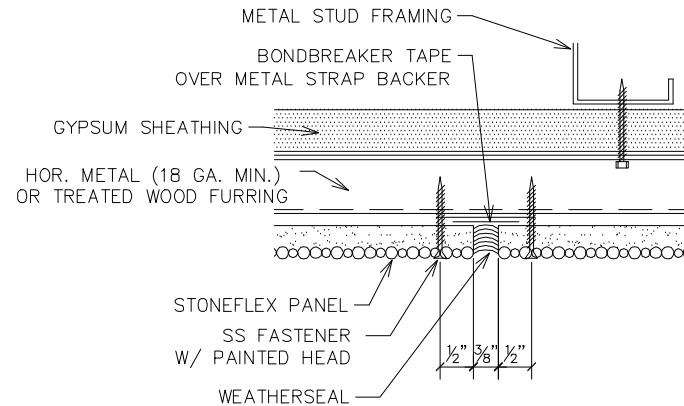
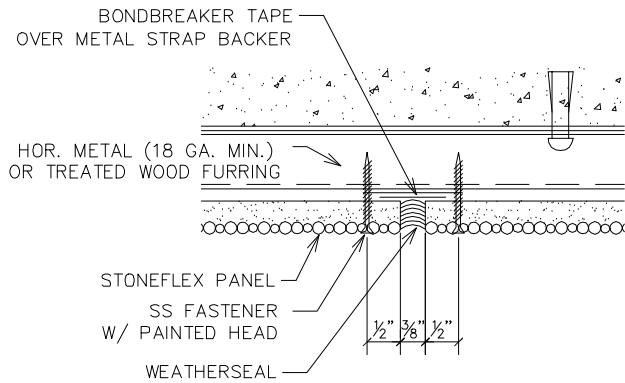


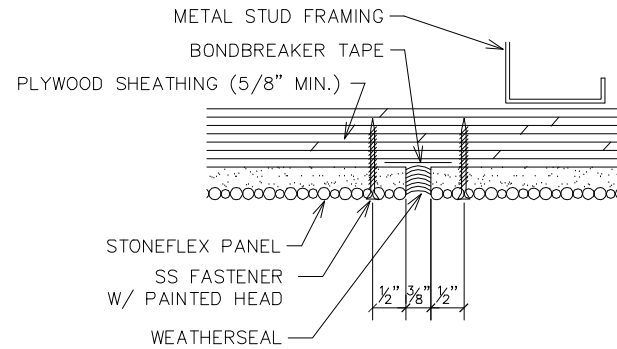
VERTICAL JOINT DETAIL



VERTICAL JOINT DETAIL



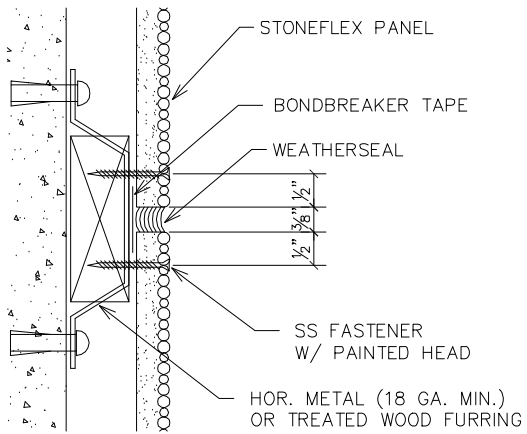
VERTICAL JOINT DETAIL



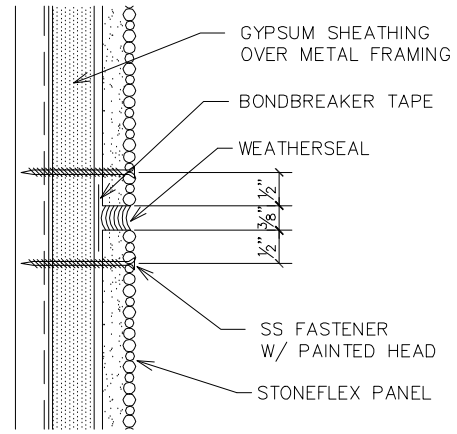
VERTICAL JOINT DETAIL

STONEFLEX
STONE AGGREGATE PANELS

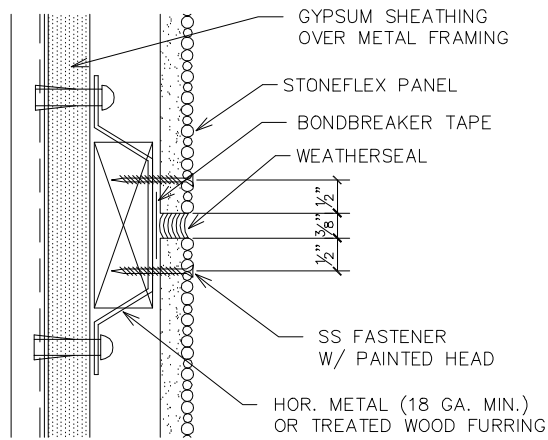
TYPICAL VERTICAL JOINT DETAILS



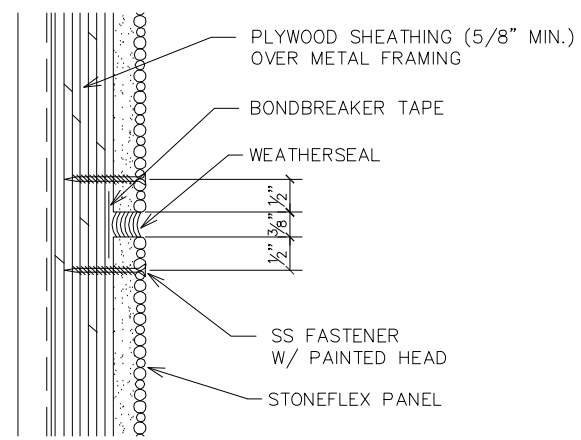
HORIZONTAL JOINT DETAIL



HORIZONTAL JOINT DETAIL



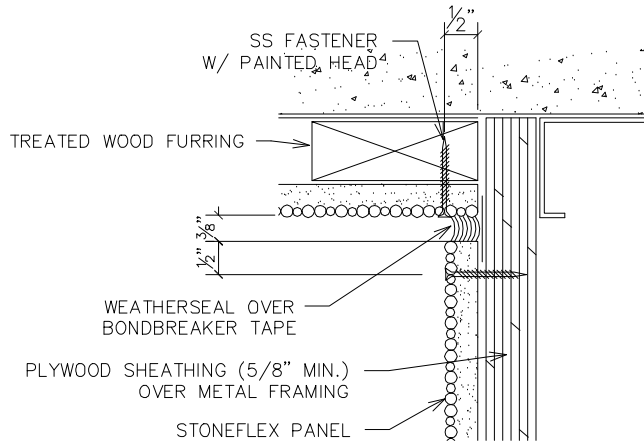
HORIZONTAL JOINT DETAIL



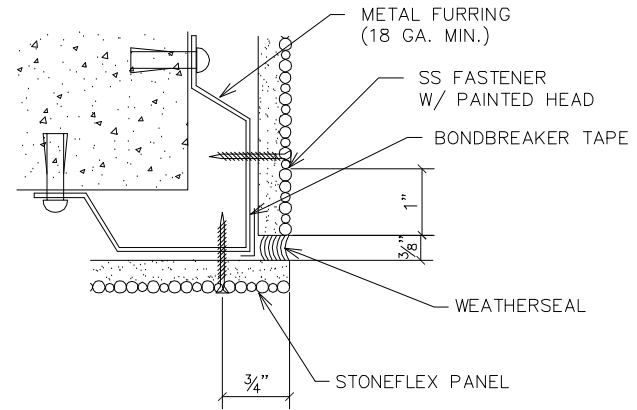
HORIZONTAL JOINT DETAIL

STONEFLEX
STONE AGGREGATE PANELS

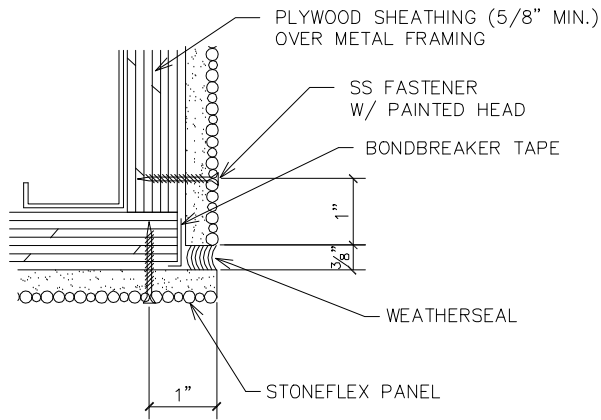
TYPICAL HORIZONTAL JOINT DETAILS



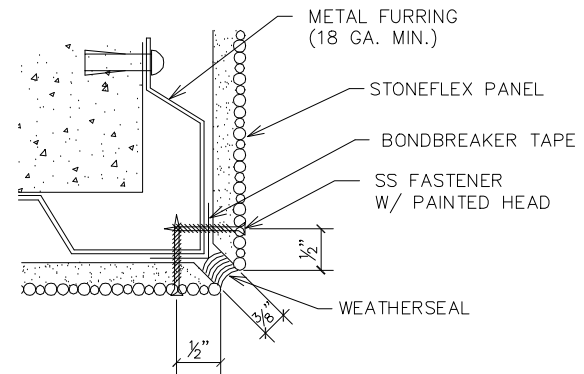
INSIDE CORNER



OUTSIDE CORNER



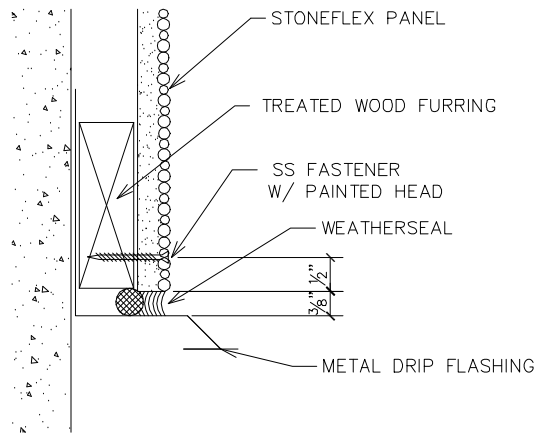
OUTSIDE CORNER



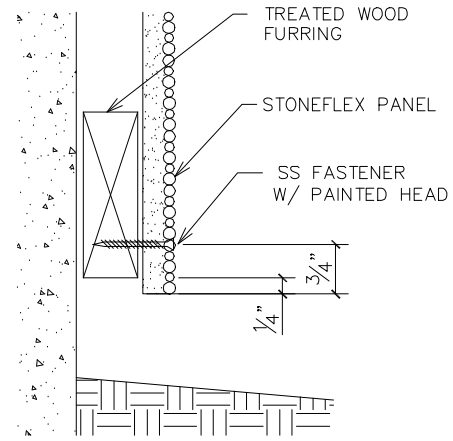
MITRED OUTSIDE CORNER

STONEFLEX
STONE AGGREGATE PANELS

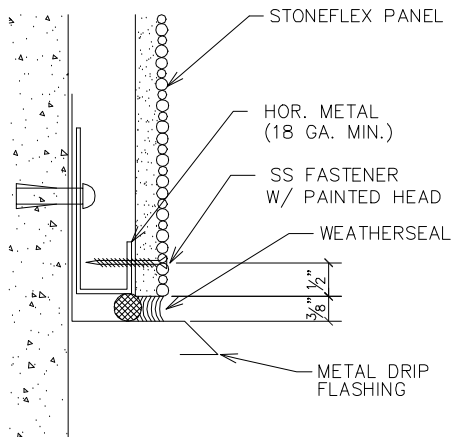
TYPICAL CORNER DETAILS



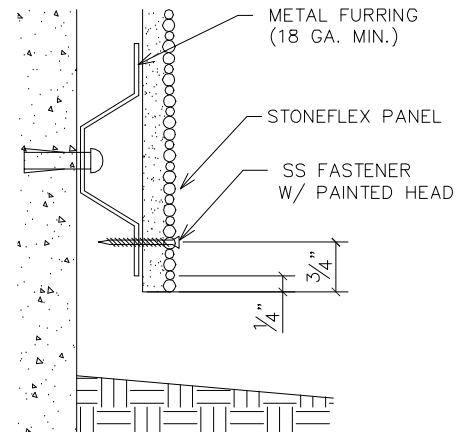
BASE DETAIL



BASE DETAIL



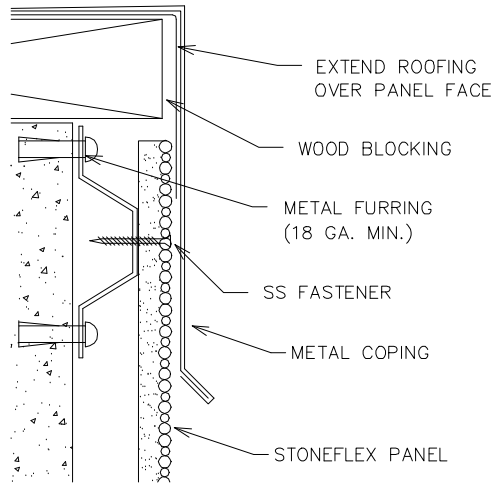
BASE DETAIL



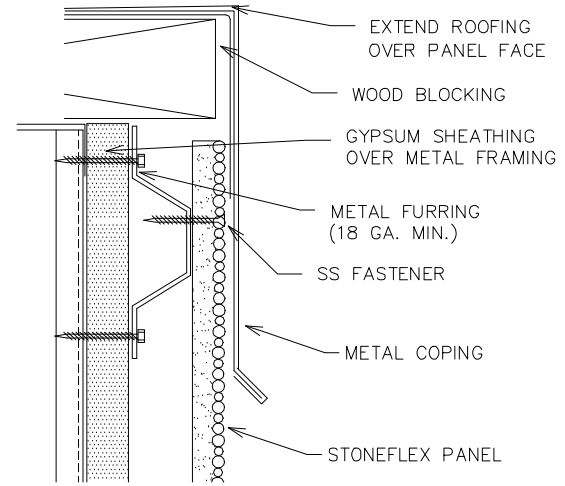
BASE DETAIL

STONEFLEX
STONE AGGREGATE PANELS

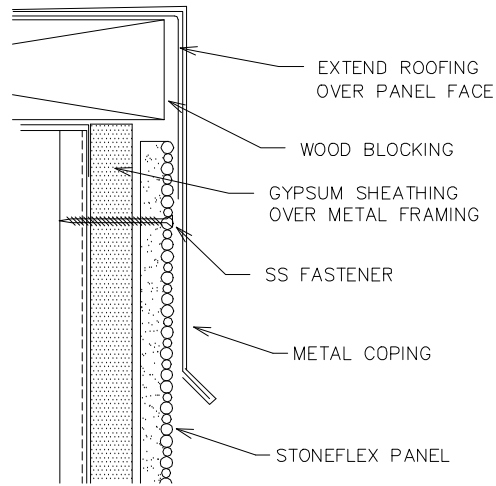
TYPICAL BASE DETAILS



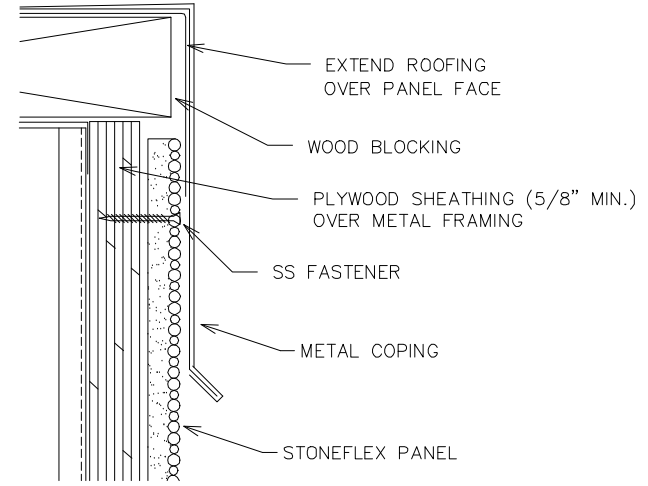
ROOF EDGE DETAIL



ROOF EDGE DETAIL



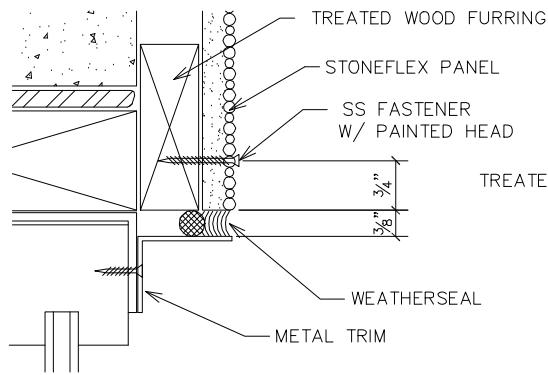
ROOF EDGE DETAIL



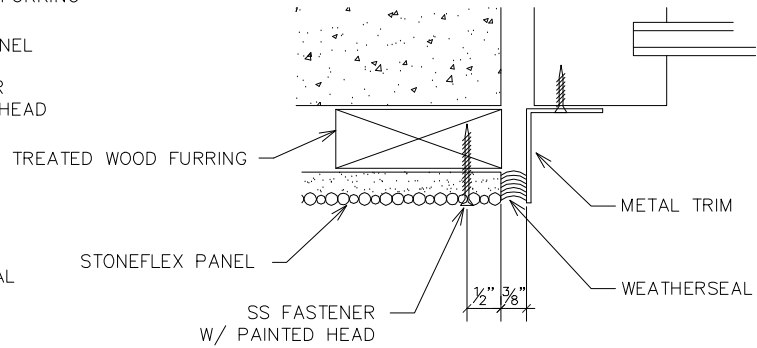
ROOF EDGE DETAIL

STONEFLEX
 STONE AGGREGATE PANELS

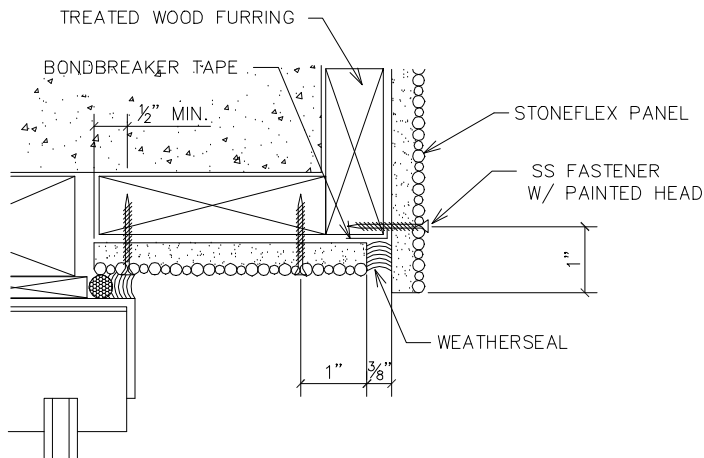
TYPICAL ROOF EDGE DETAILS



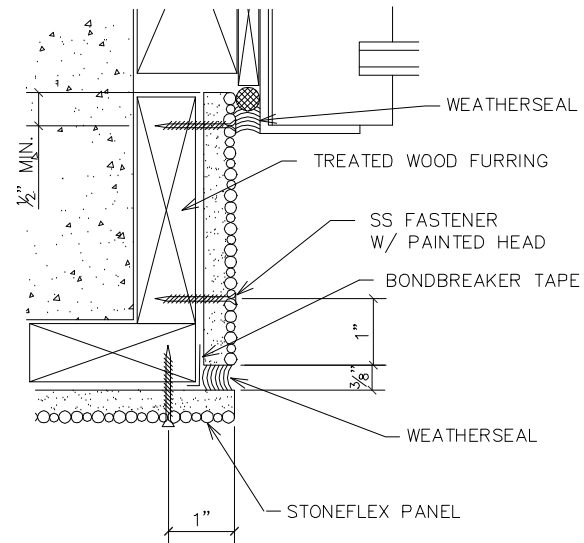
WINDOW HEAD



WINDOW JAMB



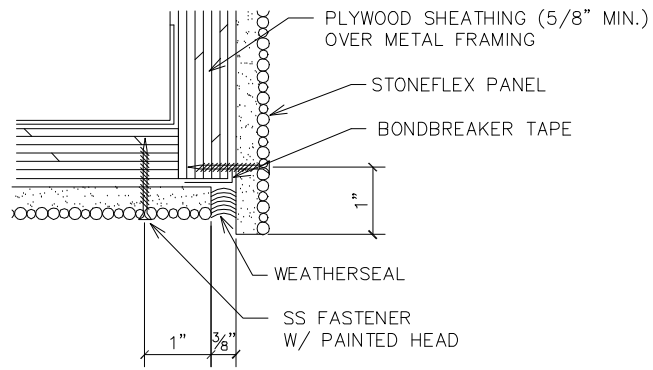
WINDOW HEAD



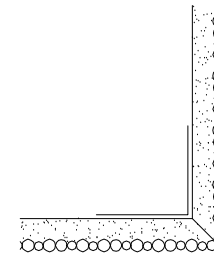
WINDOW JAMB

STONEFLEX
STONE AGGREGATE PANELS

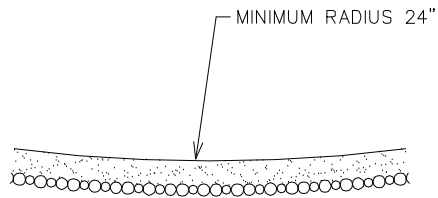
TYPICAL DETAILS AT WINDOWS



SOFFIT/FASCIA DETAIL



FACTORY FABRICATED CORNER



CURVED PANEL

STONEFLEX
STONE AGGREGATE PANELS

TYPICAL MISCELLANEOUS DETAILS